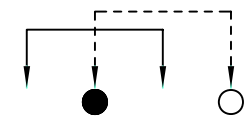
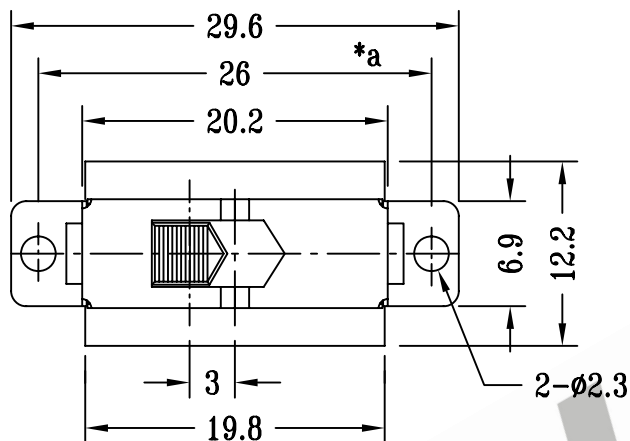
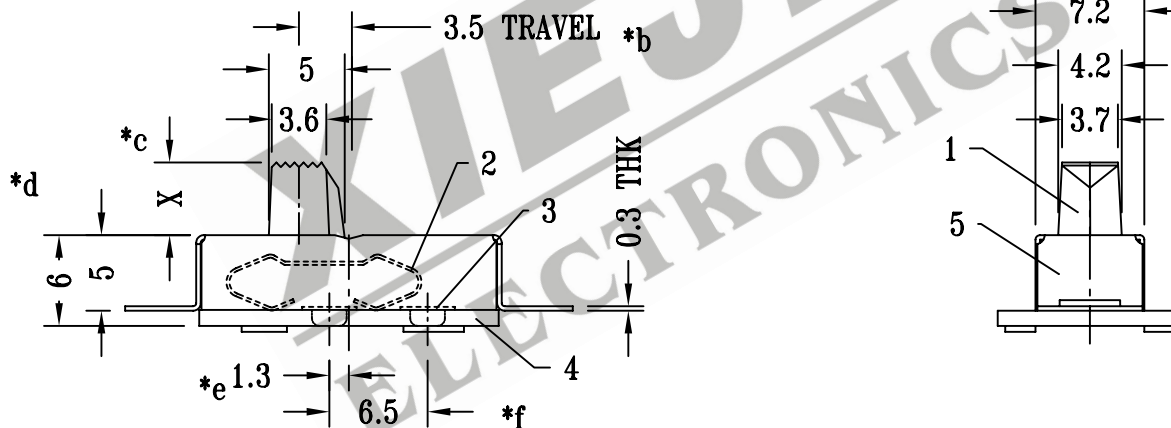


CAD FILE :



**SCHMATIC**



注:带\*表示关键尺寸(6个)

8					TOLERANCE UNLESS SPECIFIED	SHENZHEN XIEJIA ELECTRONICS CO.,LTD.					
7											
6					WITHIN: 1.5±0.1mm OVER : 1.5±0.2mm	ISSUE	DATE	DESCRIPTONS		APPD	
5	FRAME	STEEL STRIP	1	Ni PLATED	TITLE: VERTICAL SLIDE SWITCH			UNIT : M M	DRWG NO : XJ-DR-SS11G01-00		
4	TERMINAL BASE	HARD PAPER	1	RED				MODEL: SS-11G01			SCALE : 2:1
3	TERMINAL	BRASS	2	NATURAL	ALL MATERIALS MUST BE COMPLIANT TO ROHS						CHK'D
2	CONTACT CLIP	PBS	1	NATURAL				APPD.			KANGXINAN
1	KNOB	POM	1	RED							
NO.	PART NAME	MATERIAL	QTY.	FINISHING							